
10G GPON ONU BOSA(10G1270nmTX 10G1577nmRX)**Features:**

- ◆ Coaxial Package
- ◆ InGaAsP/InP MQW-DFB Laser Diode
- ◆ Low threshold, high slope efficiency and high output power
- ◆ Operating Case Temperature: 0°C to +70°C
- ◆ High channel isolation
- ◆ Low return loss
- ◆ Optional with Isolator

Applications:

- ◆ GPON ONU side
- ◆ Long distance digital transmission system
- ◆ Cable television system
- ◆ WDM systems

Absolute Maximum Ratings:

Parameter	Symbol	Min.	Max.	Unit
Storage Temperature	Tstg	-40	85	°C
Operating Case Temperature	Topr	0	70	°C
Reverse Voltage(LD)	V _{RL}	---	2	V
Reverse Voltage(PD)	V _{RD}	---	20	V
Photodiode Forward Current(PD)	I _{FD}	---	2	mA
LD Direct Forward Current	I _{FL}	---	120	mA
Lead Soldering (Temperature)/(Time)	---	---	260/10	°C/Sec

Electrical and Optical Characteristics – Transmitter:

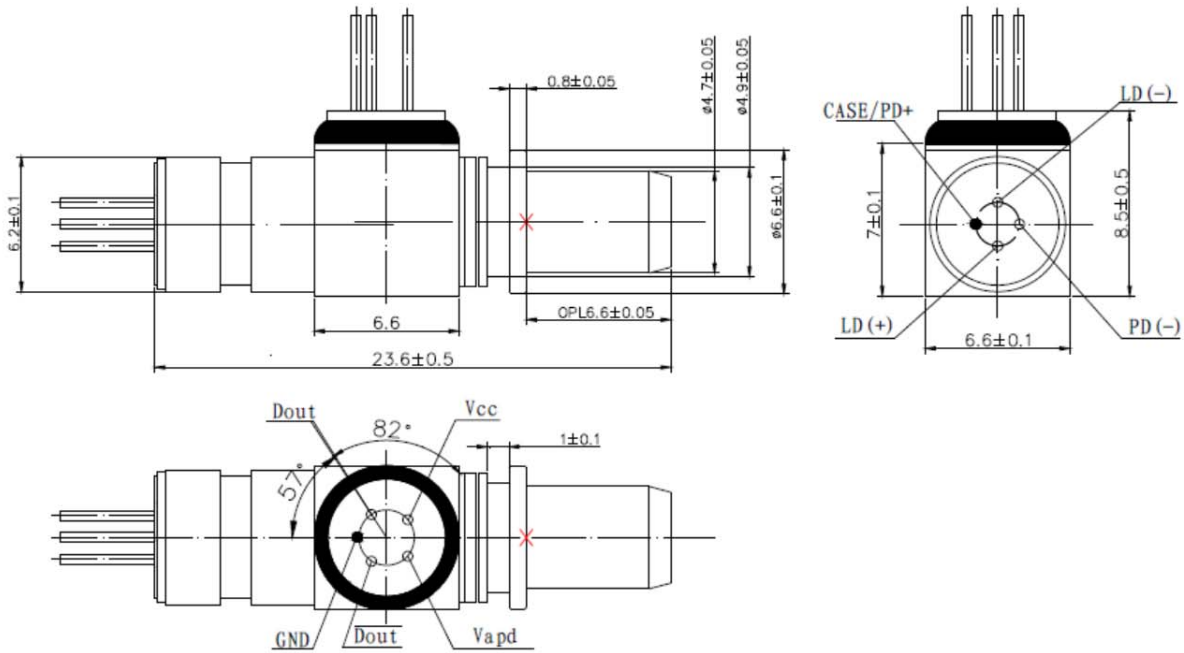
Parameter	Symbol	Min.	Typ.	Max.	Unit	Note
Output Optical Power	Pf	2.5	---	---	mW	CW, Iop=Ith+20mA, Tc=25°C
Threshold Current	Ith	---	8	15	mA	at Tc=25°C
Peak Wavelength	λ_p	1260	1270	1280	nm	Tc=25°C
Side Mode Suppression Ratio	SMSR	35	40	---	dB	CW, Tc=0~85°C
Operating Voltage	Vop		1.2	1.7	V	CW, Iop=Ith+20mA,
Monitor Current	I _{mon}	0.05	---	1.0	mA	CW, Iop=Ith+20mA,
Monitor Dark Current	I _d	---	---	0.1	μA	V _{RD} =5V
Tracking Error	TE	-1.5	---	1.5	dB	Iop=Ith+20mA, 0°C/+25°C, +25°C/+70°C
Optical Isolation	Iso	30	---	---	dB	---

Electrical / Optical Specifications – Receiver:

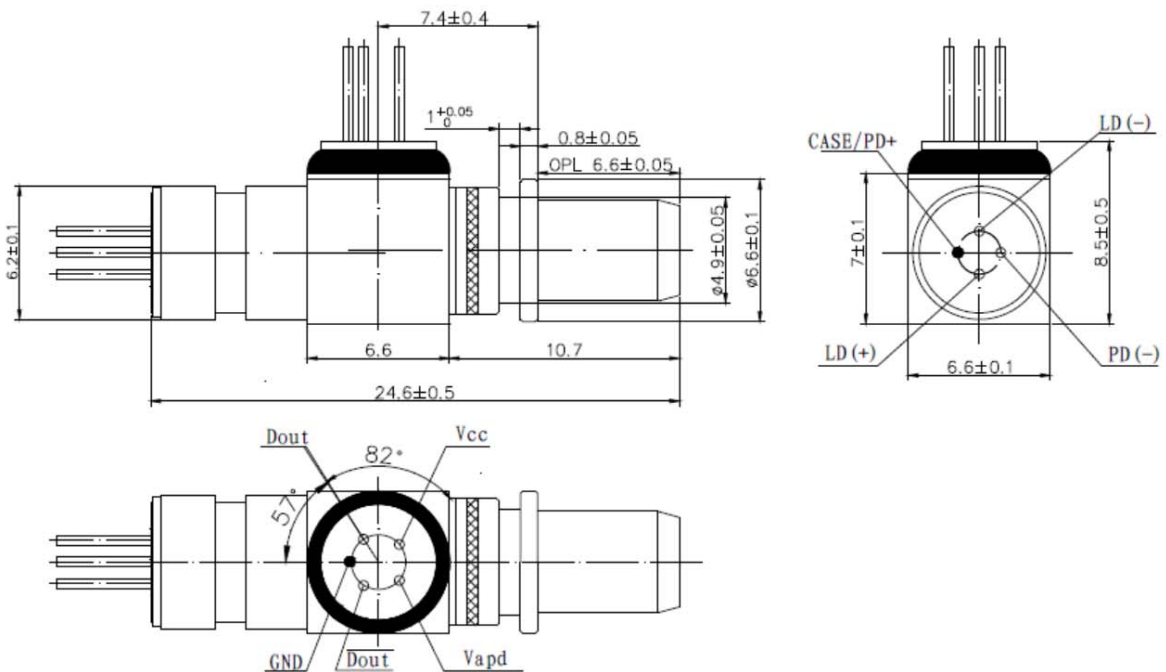
Description	Symbol	Min.	Typ.	Max.	Unit	Note
Operating Wavelength	λ	1575	1577	1580	nm	
Supply Voltage	V _{cc}	3.0	3.3	3.6	V	
Supply Current	I _{cc}	40	55	70	mA	
Break-down Voltage	V _{br}	25	34	40	V	I _d =10μA
APD Responsivity	R	0.65	---	---	A/W	M=1, V _R =10V
Optical Isolation From External Source	ISO	30	---	---	dB	λ = 1310/1490/1550nm
Optical Crosstalk From Internal Laser	X _{opt}	---	-45	-40	dB	

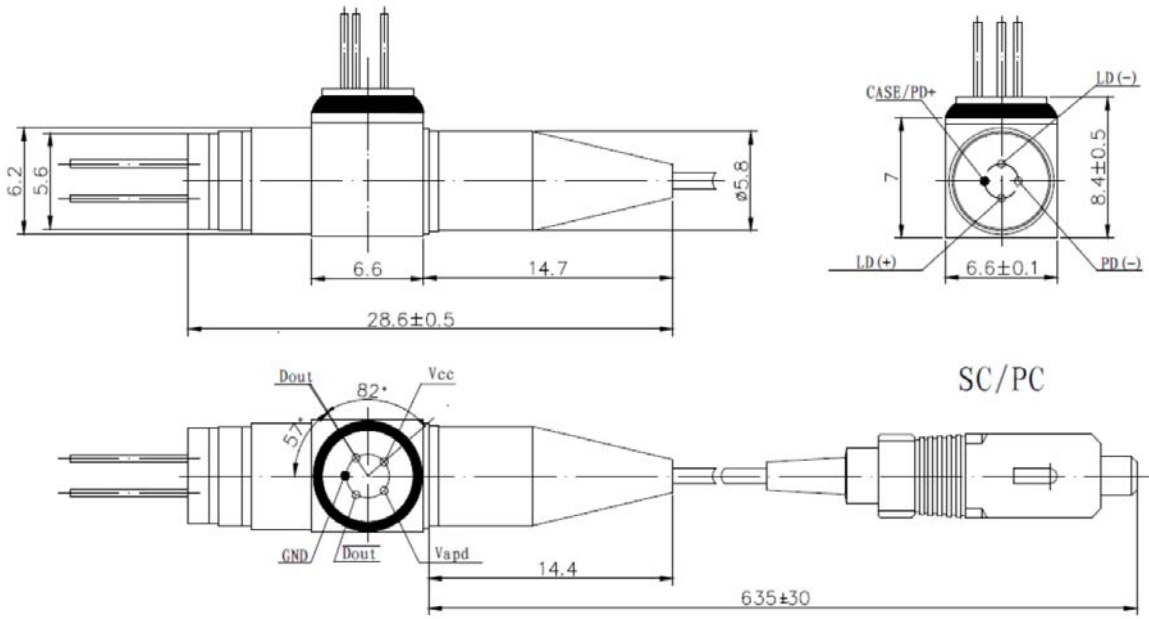
Package Dimension:

RBIDI-SC/PC (Non-electrical isolation)

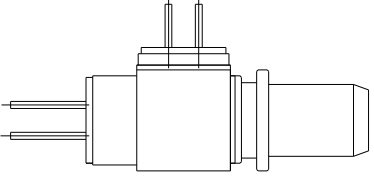
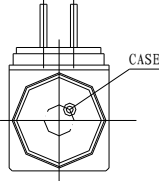
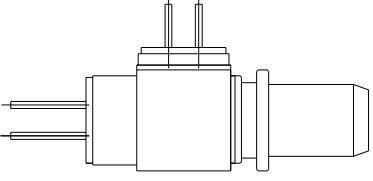
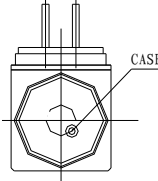
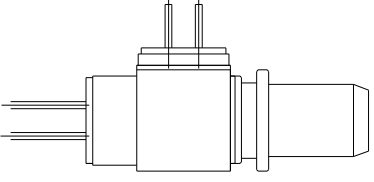
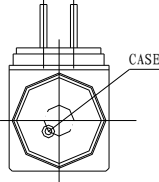
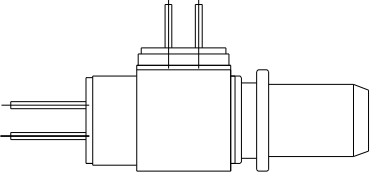
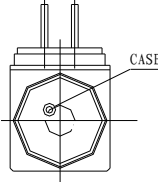
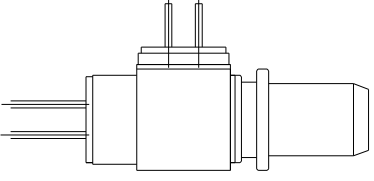
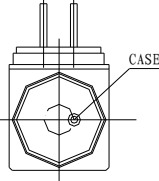
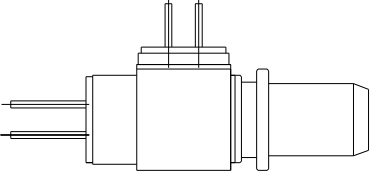
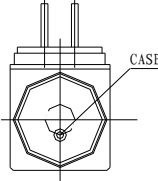
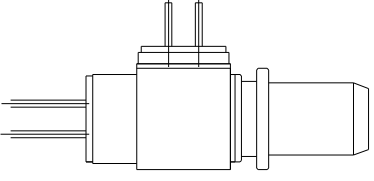
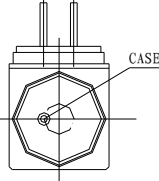
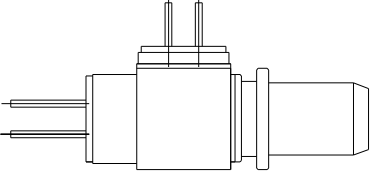
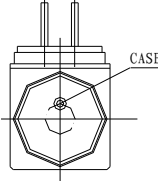


RBIDI-SC/PC (Electrical isolation)

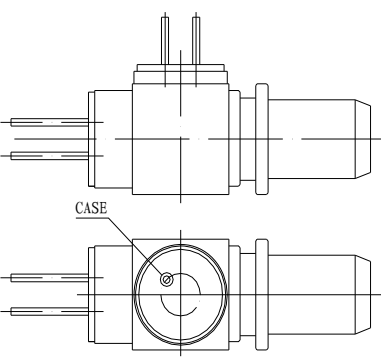
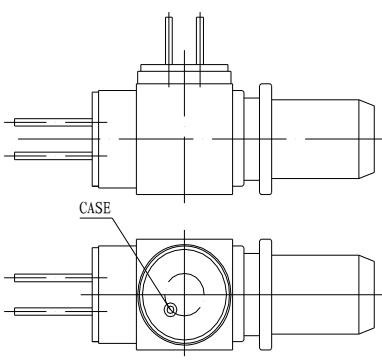
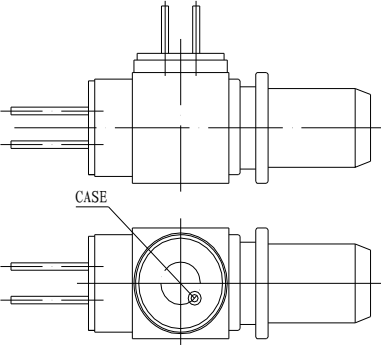
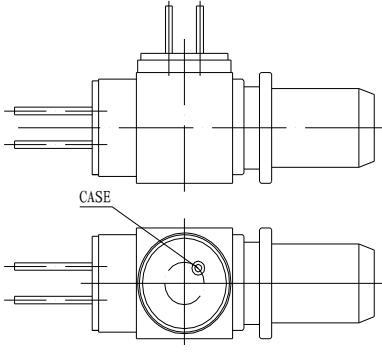
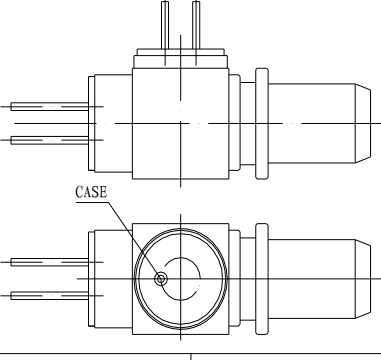
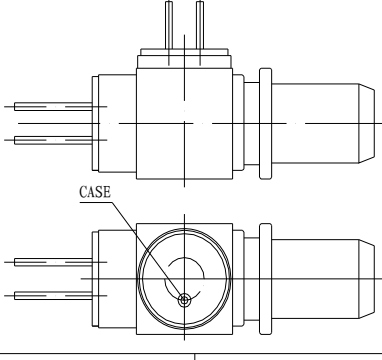
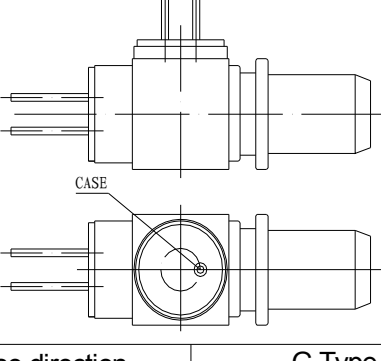
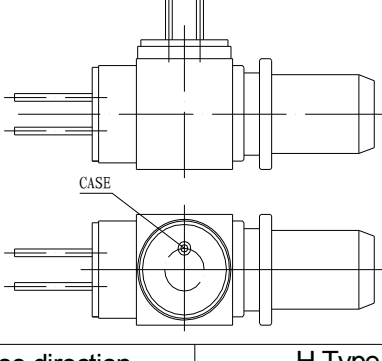


PBIDI-SC/PC

TX Pin Order Code:

Launch			
			
Case direction	A Type	Case direction	B Type
			
Case direction	C Type	Case direction	D Type
			
Case direction	E Type	Case direction	F Type
			
Case direction	G Type	Case direction	H Type

RX Pin Order Code:

Receive			
			
Case direction	A Type	Case direction	B Type
			
Case direction	C Type	Case direction	D Type
			
Case direction	E Type	Case direction	F Type
			
Case direction	G Type	Case direction	H Type

Nomenclature:

HEBIDI-
 A B C D E F G H I J

Code	Parameter	Detailed Description							
A	Laser Type	D=DFB LD							
B	Launch Wavelength	A=1270							
C	Launch Data rate	1=10G							
D	Output Power	10=1~1.59mW				20=1.6~2.99mW			
E	Receiver Wavelength	H=1577							
F	Receiver Data rate	T=10G							
G	Connector	R= RBIDI-SC/PC (Non-electrical isolation)			R1=RBIDI-SC/PC (Electrical isolation)			L= PBIDI-SC/PC	
H	TX Pin Package Direction	A	B	C	D	E	F	G	H
I	RX Pin Package Direction	A	B	C	D	E	F	G	H
J	Isolator	G=with I							

Precaution:

- (1) The modules should be handled in the same manner as ordinary semiconductor devices to prevent the electro-static damages. For safe keeping and carrying, the modules should be packaged with ESD proof material. To assemble the modules on PCB, the workbench, the soldering iron and the human body should be grounded.
- (2) Please pay special attention to the atmosphere condition because the dew on the module may cause some electrical damages.
- (3) Under such a strong vibration environment as in automobile, the performance and reliability are not guaranteed.

Notice:

HighEasy reserves the right to make changes or discontinue any product or service identified in this publication, without notice, in order to improve design and/or performance. Applications that are described herein for any of the products are for illustrative purposes only. HighEasy makes no representation or warranty that such applications will be suitable for the specified use without further testing or modification.