

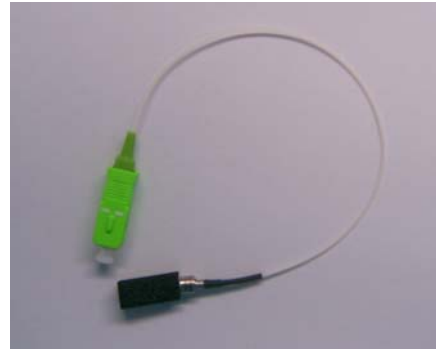
Long Wavelength PIN Photodiode Module for Wide Frequency-range CATV

Receiver

HEPDP-2022ESAM

Features:

- ◆ Low Return Loss
- ◆ Low Dark Current
- ◆ Quick Pulse Response
- ◆ Suitable for CATV Application
- ◆ High Responsivity and High Linearity
- ◆ RoHS Compliant Products Available



Applications:

- ◆ Analog Optical Receiver
- ◆ Test Equipments

General:

HEPDP-2022ESAMG is InGaAs/InP PIN photodiode modules designed for fiber optic CATV receiver and other high-speed analog receiver. These modules have low inter-modulation distortion and high responsivity at 1310nm and 1550nm, and are ideally suitable for wide frequency range receiver up to 1GHz.

A photodiode is mounted into a low capacitance coaxial package integrated with a single mode fiber pigtail.

Ordering Information: (Standard version ^{*Note1)})

Part No.	Wavelength (nm)	Explore Area (um)	Bandwidth (GHz)	Package	Pin Type
HEPDP-2022ESAM	1310~1550	75	3.2	E	M

*Note1: For more ordering information, please refer the nomenclature and contact HighEasy sales.

Absolute Maximum Ratings:

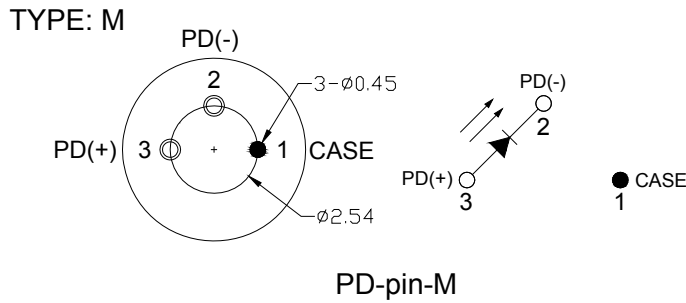
Parameter	Symbol	Min.	Max.	Unit
Storage Temperature	T _{ST}	-40	100	°C
Operating Temperature	T _{OP}	-40	85	°C
Reverse Voltage	VR	---	20	V
Saturation Input Power	P _{IN}	---	10	dBm
Soldering Temperature / Time	Ts/t	---	260/10	°C/s

Electrical and Optical Characteristics:

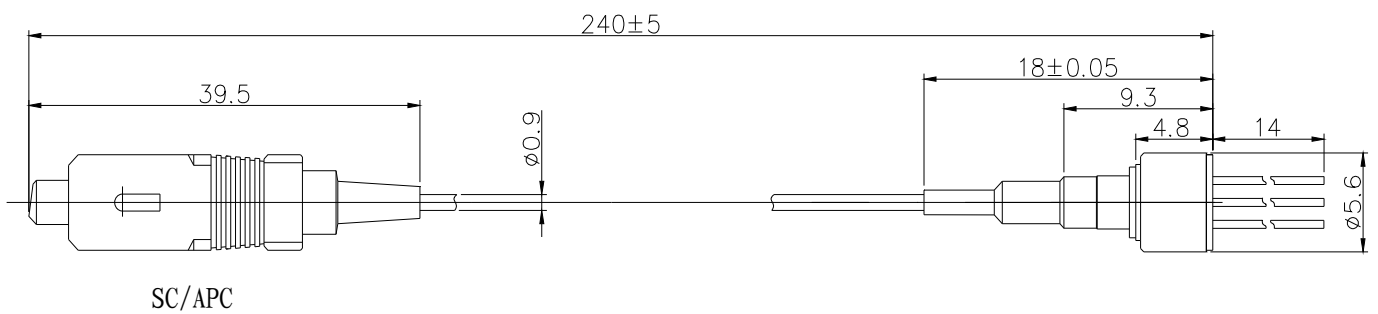
(Vr=12V, Tc=+25°C, unless otherwise noted.)

Parameter	Symbol	Test Condition	Min.	Typ.	Max.	Unit
Detection Wavelength Range	λ	---	1100	---	1650	nm
Active Diameter	DA	---	---	75	---	μm
Responsivity	R	VR=-5V@1310nm	0.8	0.85	---	A/W
		VR=-5V@1550nm	0.90	0.95	---	A/W
Return Loss	RL		---	---	-50	dB
Dark Current	Id	VR = 5V	---	0.15	1	nA
Capacitance	Cp	VR = 5V	---	0.6	0.7	pF
Bandwidth	BW	VR=5V	---	3.2	---	GHz
IMD2	CSO	$\lambda=1310\text{nm}$	---	-75	-70	dBc

Pin Assignment:



Pigtail Package Dimension: ^{*Note2}



*Note2: PIN orientation can be customized, Standard SC/APC connector and SMF pigtail, length is 17.5±0.5cm.

Nomenclature:HEPDP -
 A B C D E F G H I

A	Wavelength	20=1100~1610nm		
B	Explore Area	2=75 μ m		
C	RF Bandwidth	2 \leq 3.2GHz		
D	Package Series	E		
E	Connector	SA=SC/APC		
F	Pin Type	M=PD-pin-M		
G	Pass Band Wavelength	Blank=1310/1550nm	3=1310nm	5=1550nm
H	Fiber Type	Blank=SM		M=MM
I	Fiber Diameter	BLANK=0.9mm	2=2.0mm	3=3.0mm

Precaution:

- (1) The modules should be handled in the same manner as ordinary semiconductor devices to prevent the electro-static damages. For safe keeping and carrying, the modules should be packaged with ESD proof material. To assemble the modules on PCB, the workbench, the soldering iron and the human body should be grounded.
- (2) Please pay special attention to the atmosphere condition because the dew on the module may cause some electrical damages.
- (3) Under such a strong vibration environment as in automobile, the performance and reliability are not guaranteed.

Notice:

HighEasy reserves the right to make changes or discontinue any product or service identified in this publication, without notice, in order to improve design and/or performance. Applications that are described herein for any of the products are for illustrative purposes only. HighEasy makes no representation or warranty that such applications will be suitable for the specified use without further testing or modification.