

## Hermaphroditic Expanded Beam Connectors XL (HEBXL)



### Features:

- ◆ EUROCOM II Form Factor
- ◆ Hermaphroditic
- ◆ Multimode & Singlemode
- ◆ 1-12 Channels
- ◆ Plug and Bulkheads
- ◆ Field Repairable
- ◆ Anodized Aluminum / Stainless Steel
- ◆ RFID Marked

### Applications:

- ◆ Military, Oil & Gas. Broadcast & Industrial

### Description:

The HEBXL style Expanded Beam connector is designed to comply with the Military Standard.

The broadcast and industrial markets also use this connector style in a variety of application.

The HEBXL range features 1-12 optical channels in Multimode & Singlemode.

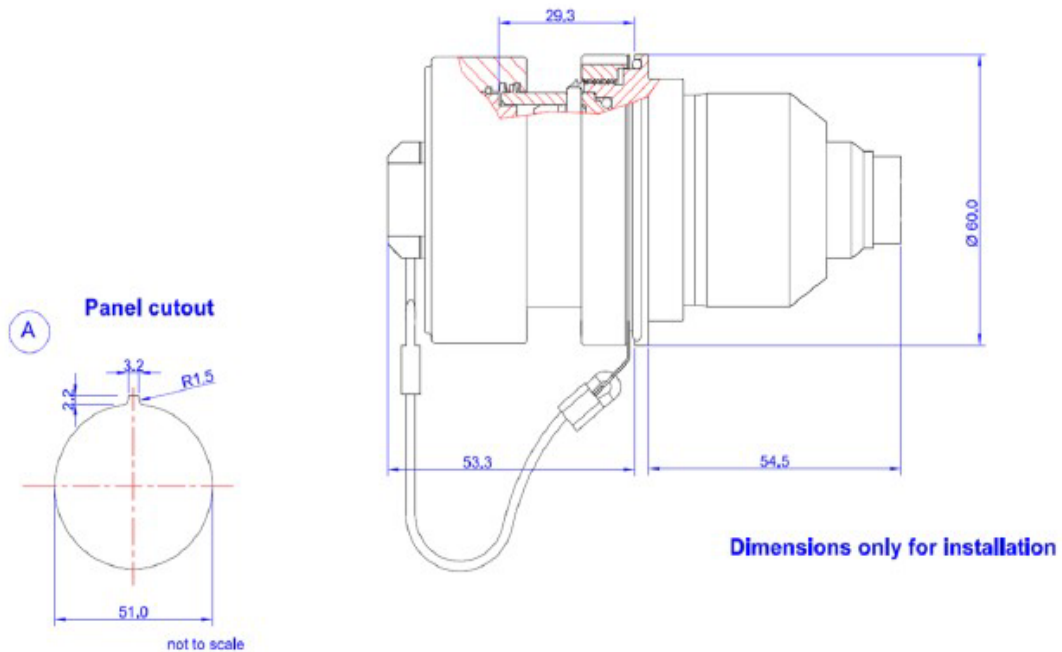
The Expanded Beam technology allows the usage of optical communication in the harshest environments and the connector range; provide the user with the security that the communication link will work: first time, every time.

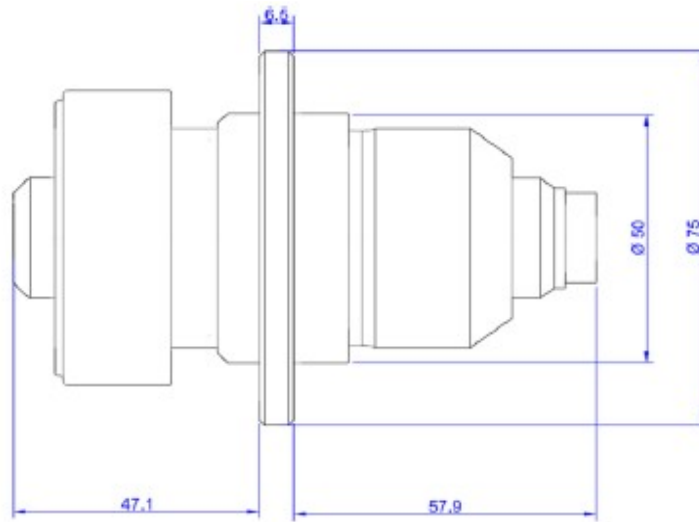
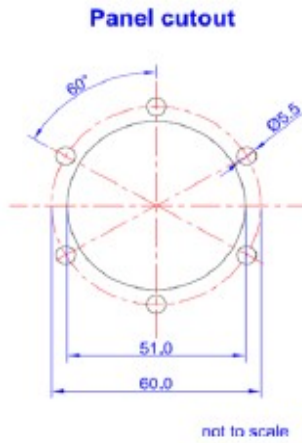
The hermaphroditic design is particularly useful and provides unique benefits in rapid deployment or cable extensions as no adaptors are needed. Any two connectors can just be interconnected.

**Performance Specifications:**

| Item                  | Parameter  |
|-----------------------|--|
| Insertion Loss        | 50/125 @ 850-1300nm <2.0dB   |
|                       | 9/125 @ 1310-1550nm <1.5 dB  |
| Return Loss           | 9/125 @ 1310-1550nm  |
|                       | Actual value depending on construction<br>Special High Return Loss Versions >30dB  |
| Vibration Sinusoidal  | 10-500Hz, 0.75 amplitude @ 10g acceleration  |
| Free Fall Resistance  | 500 falls onto concrete from 1.2M height   |
| Bump Resistance       | 4000 bumps @ 40g acceleration  |
| Tensile Strength      | Tensile of 1500N, cable dependent  |
| Cable Variations      | Compatible with tactical cable: -<br>Plug: - typical 6mm or 7mm OD<br>Bulkheads: - With strain relief - Same as Plug<br>Without Strain Relief - <3mm per channel |
| Water Immersion       | Up to 2m depth   |
| Operating Temperature | -40 ~ +70°C  |
| Storage Temperature   | -55 ~ +85°C  |

**Jam Nut Bulkhead:**



**Flange Mount Bulkhead:****Dimensions only for installation**